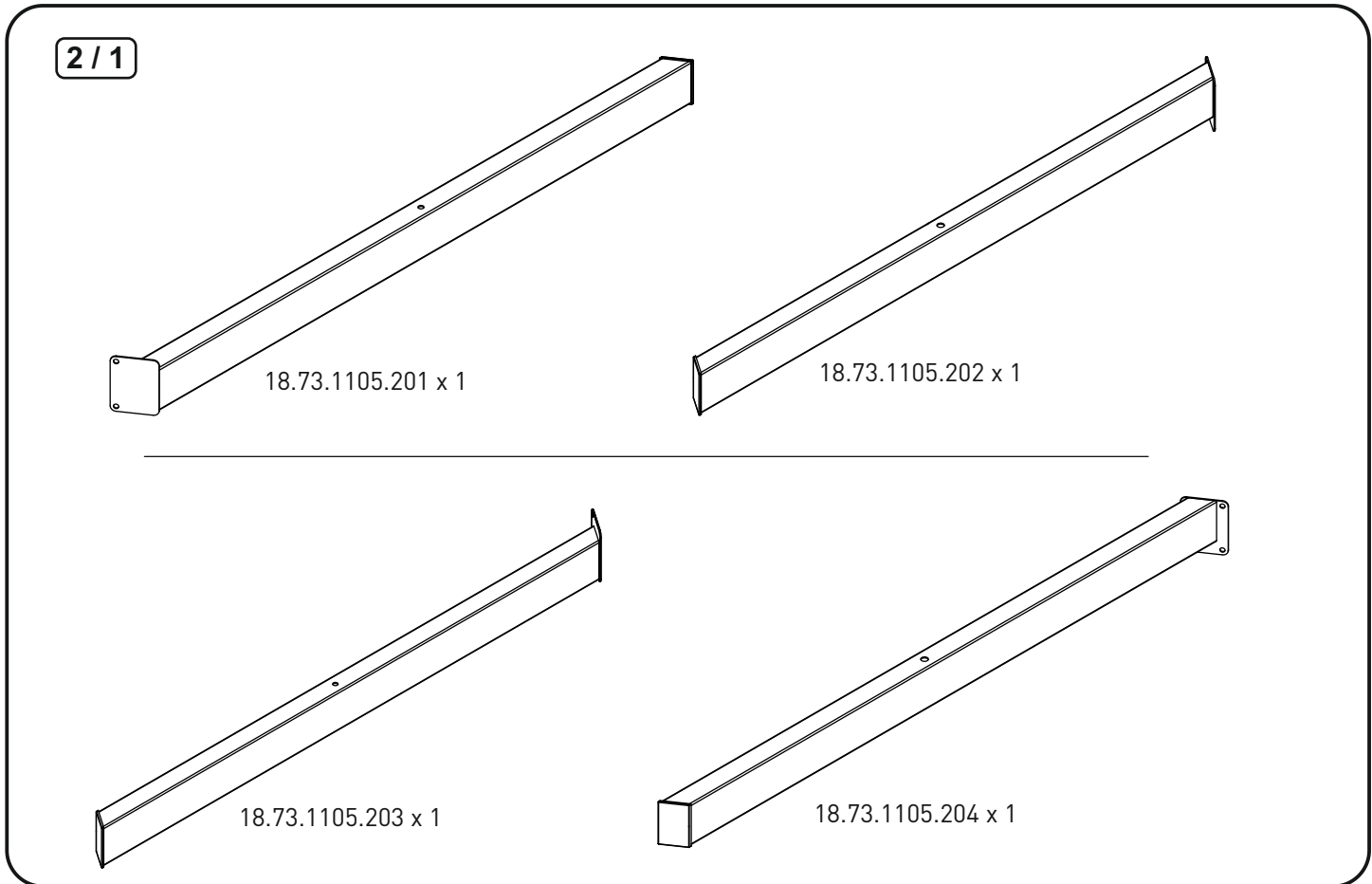
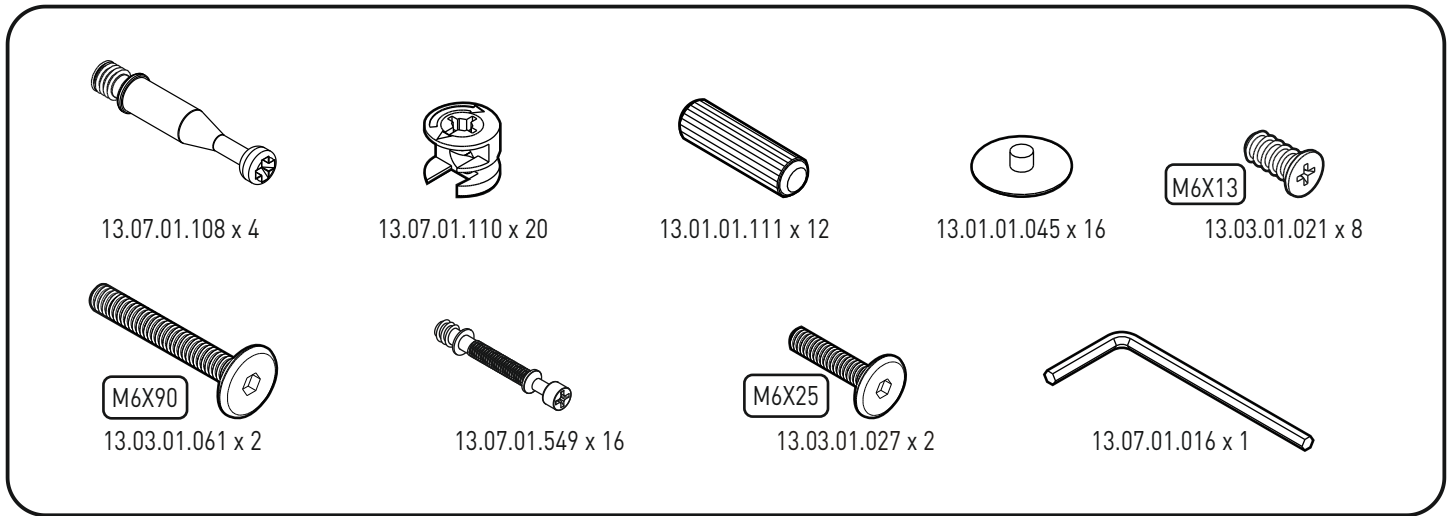
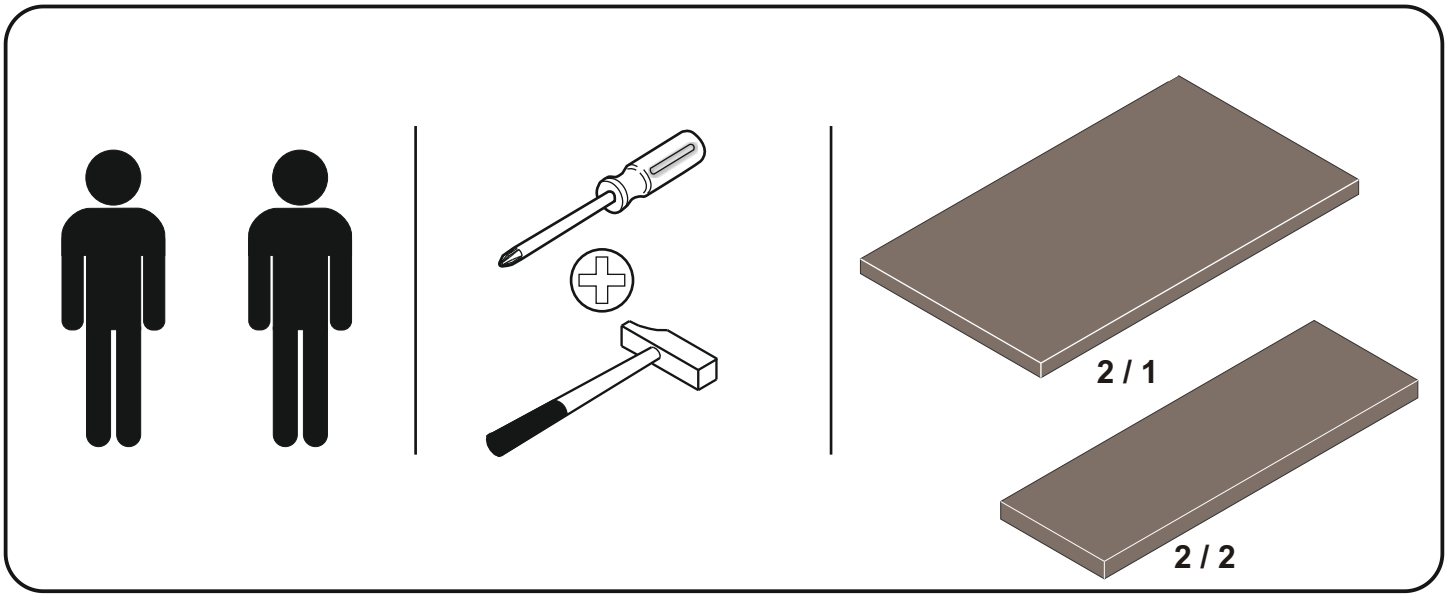
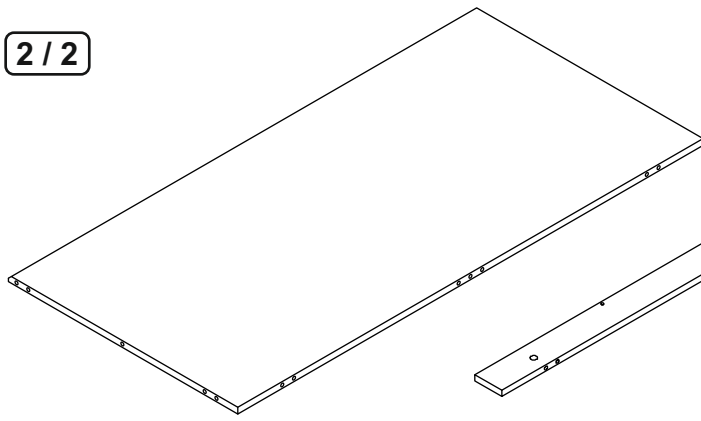


**20.73.1105.00**

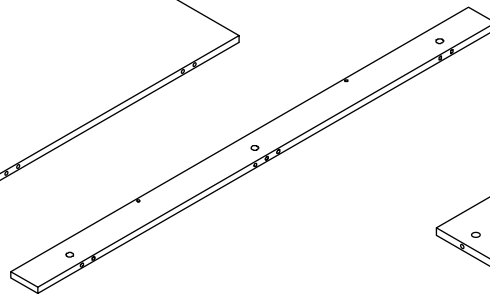




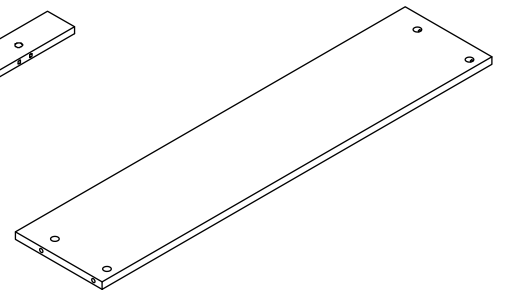
2 / 2



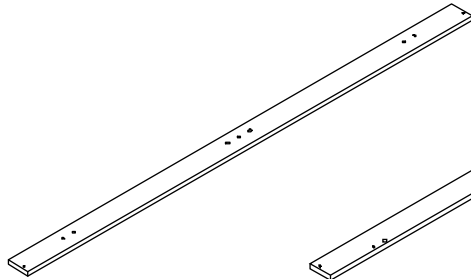
18.73.1105.001 x 1



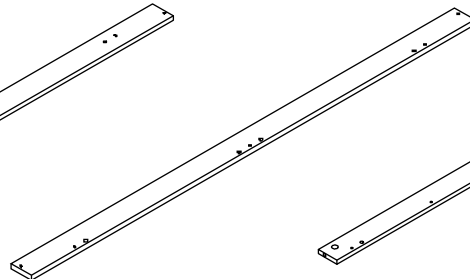
18.73.1105.002 x 1



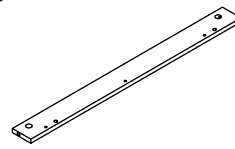
18.73.1105.003 x 1



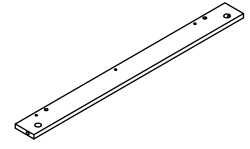
18.73.1105.004 x 1



18.73.1105.005 x 1

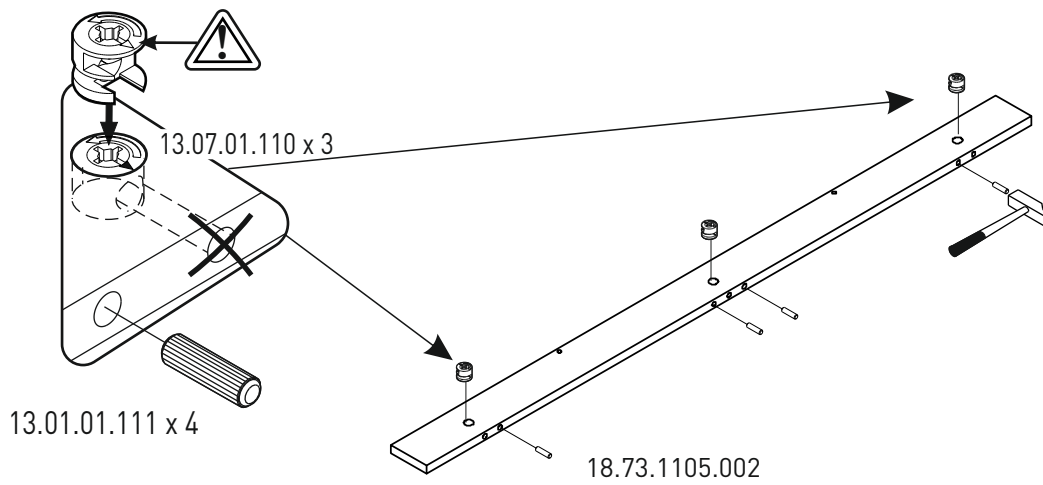


18.73.1105.006 x 1



18.73.1105.007 x 1

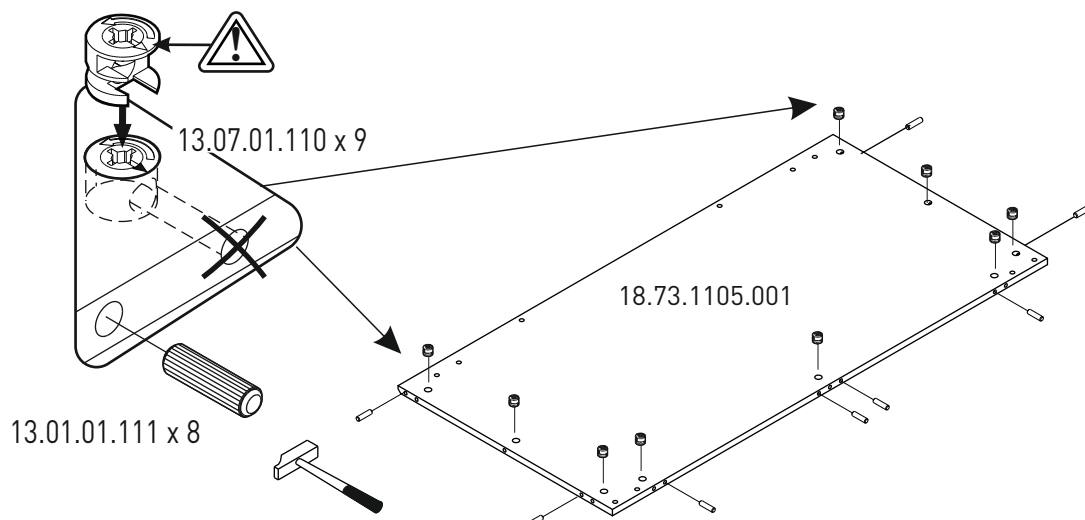
1



13.01.01.111 x 4

18.73.1105.002

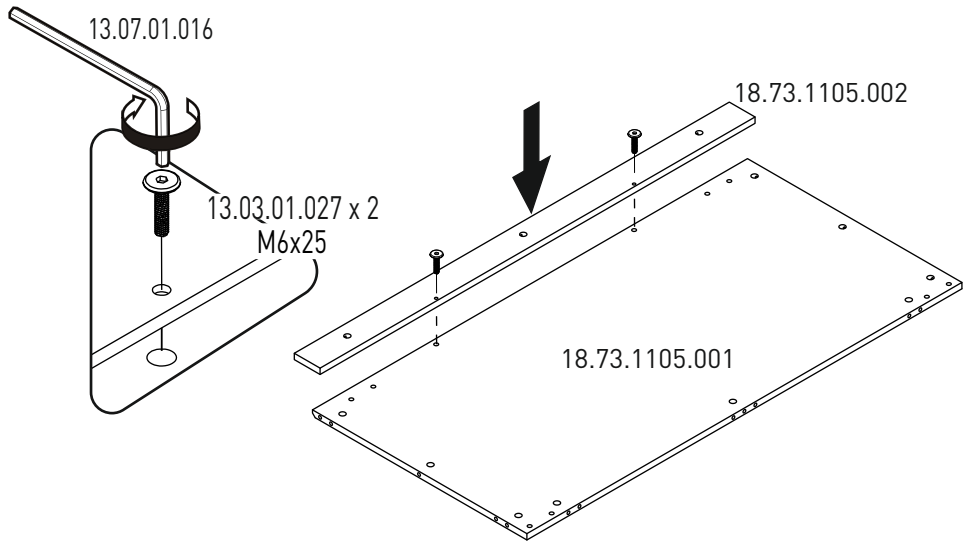
2



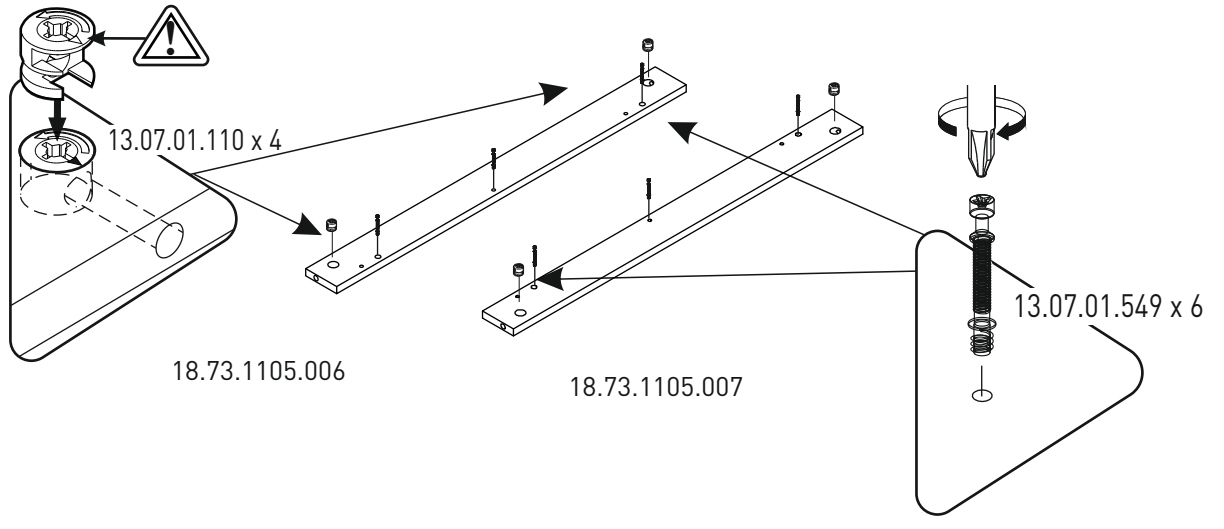
13.01.01.111 x 8

18.73.1105.001

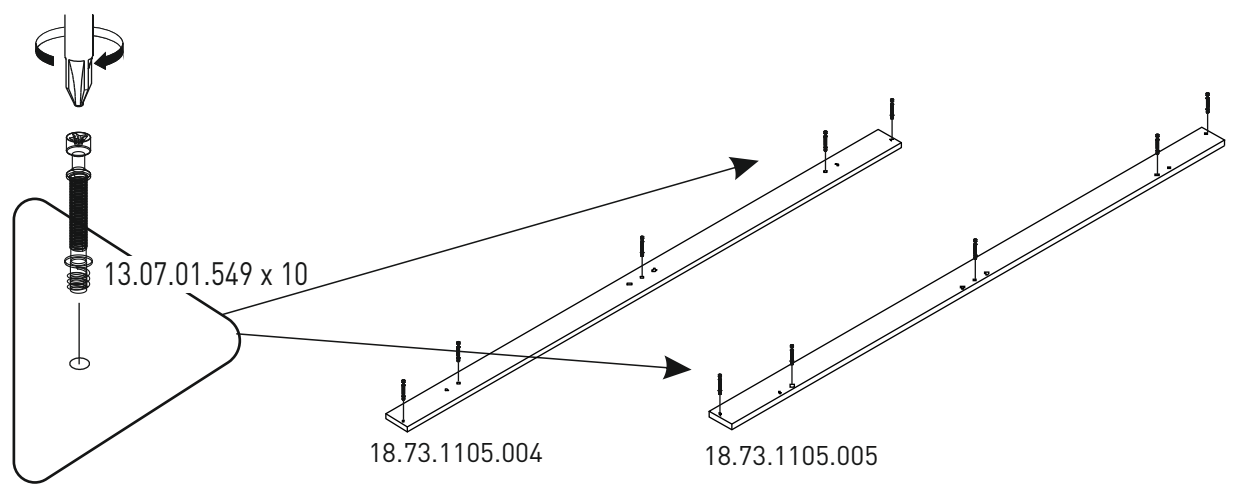
3



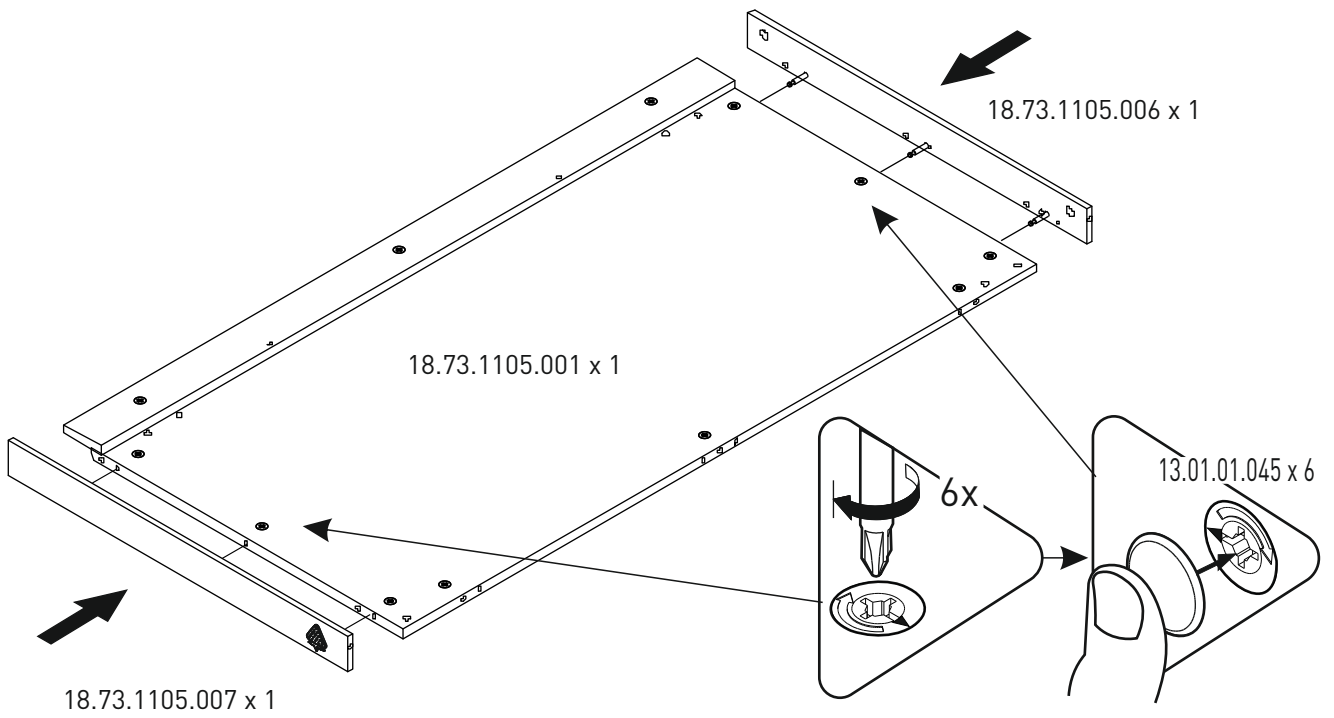
4



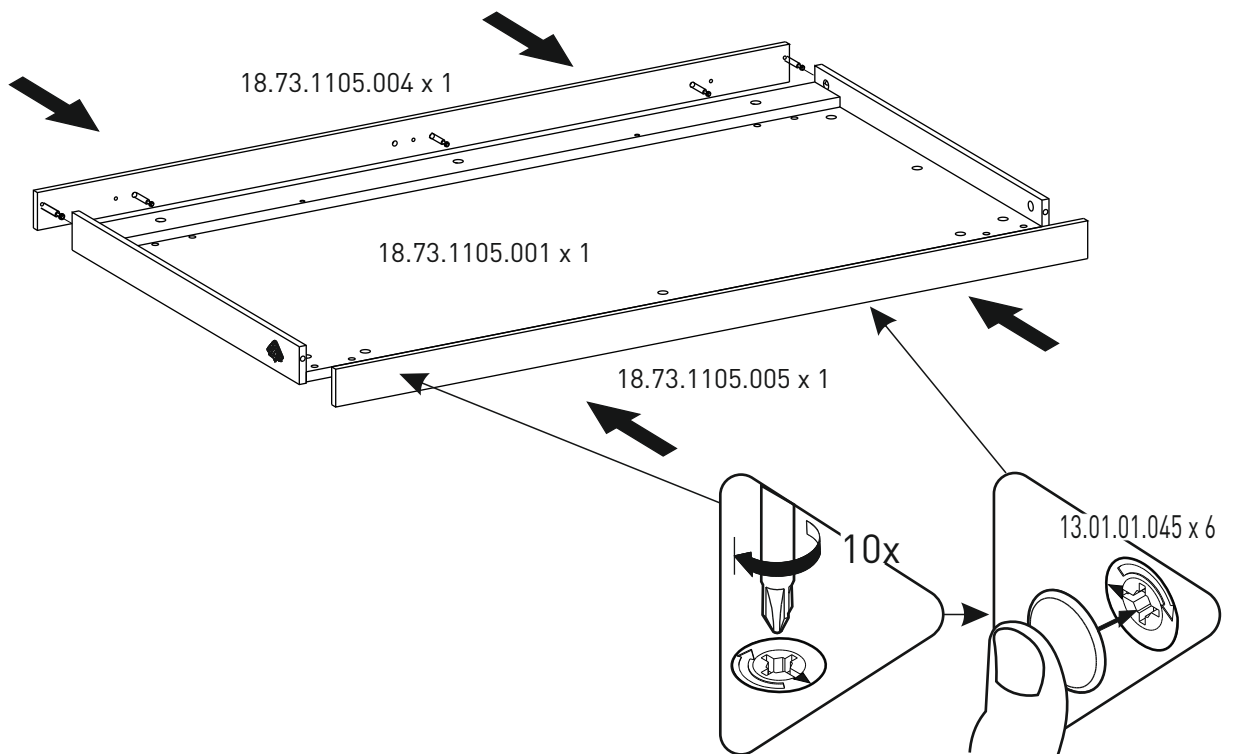
5



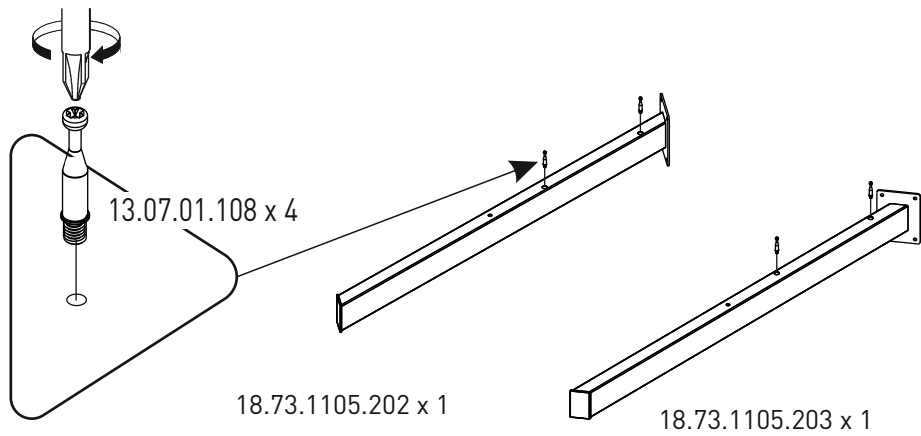
6



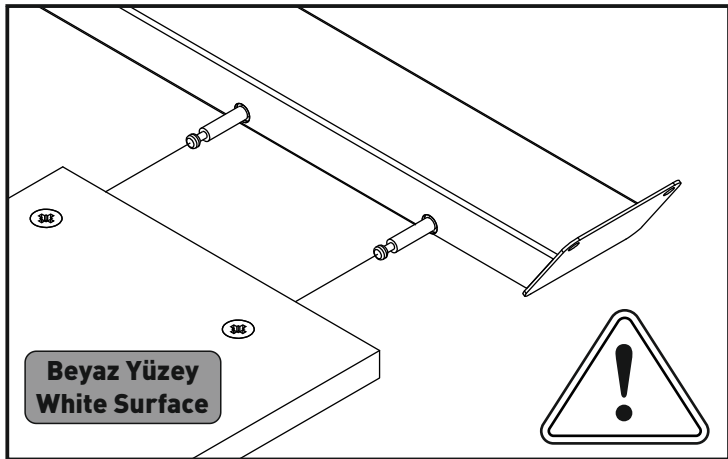
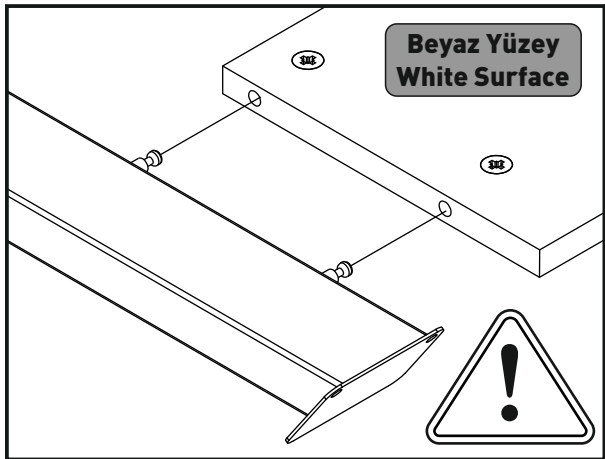
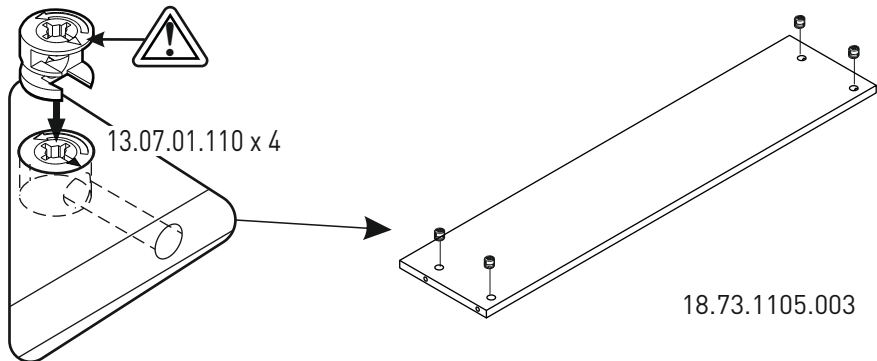
7



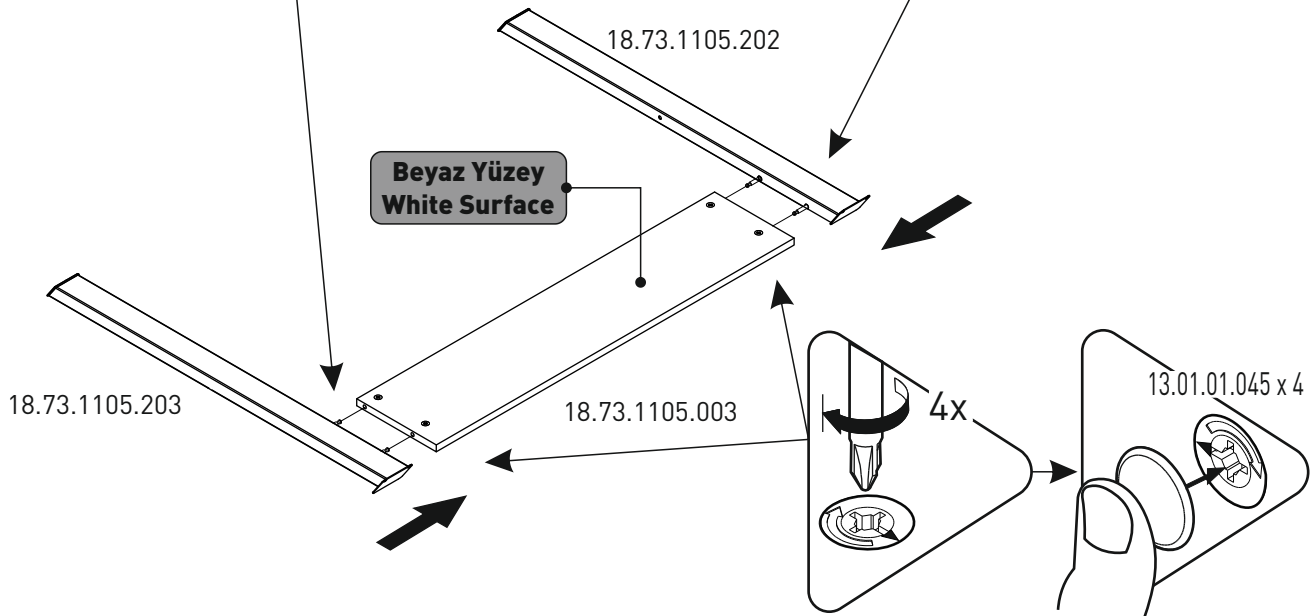
8



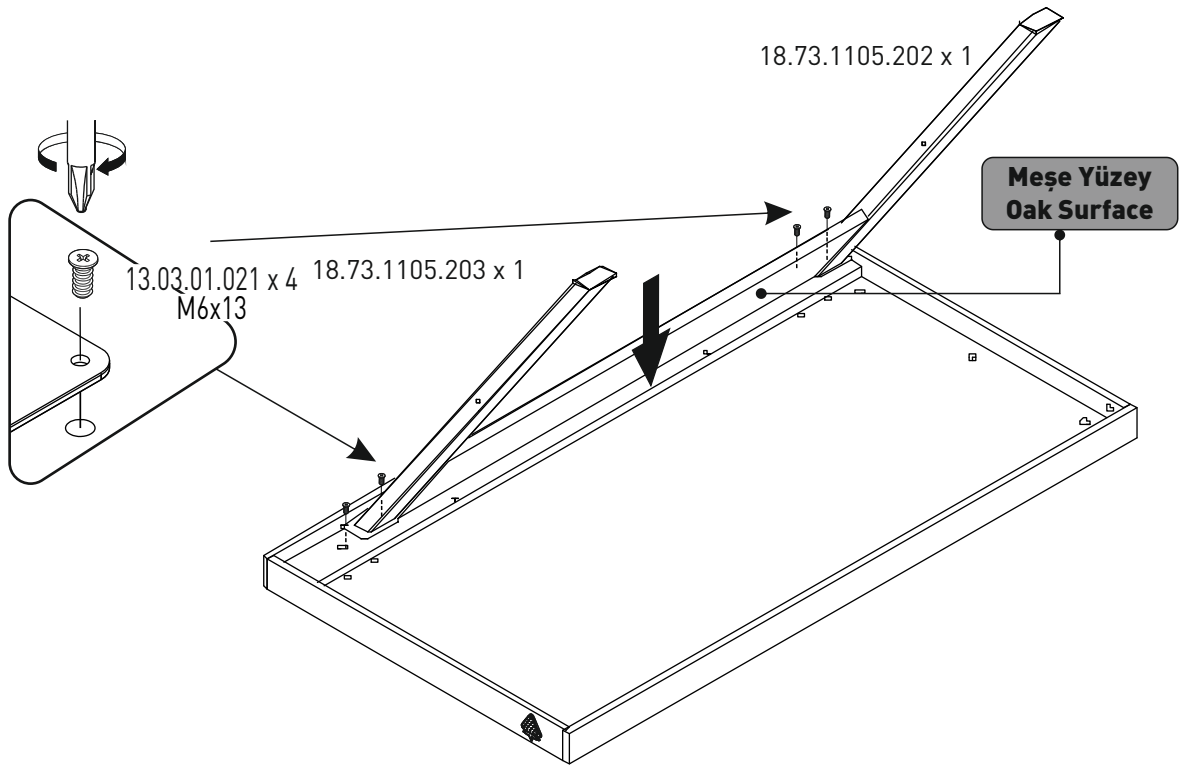
9



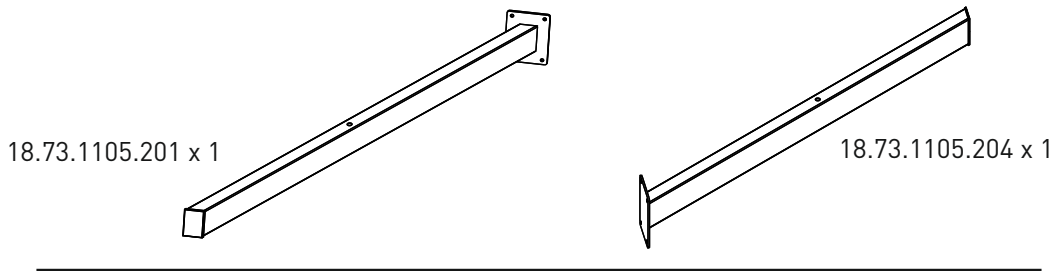
10



11



12



13

